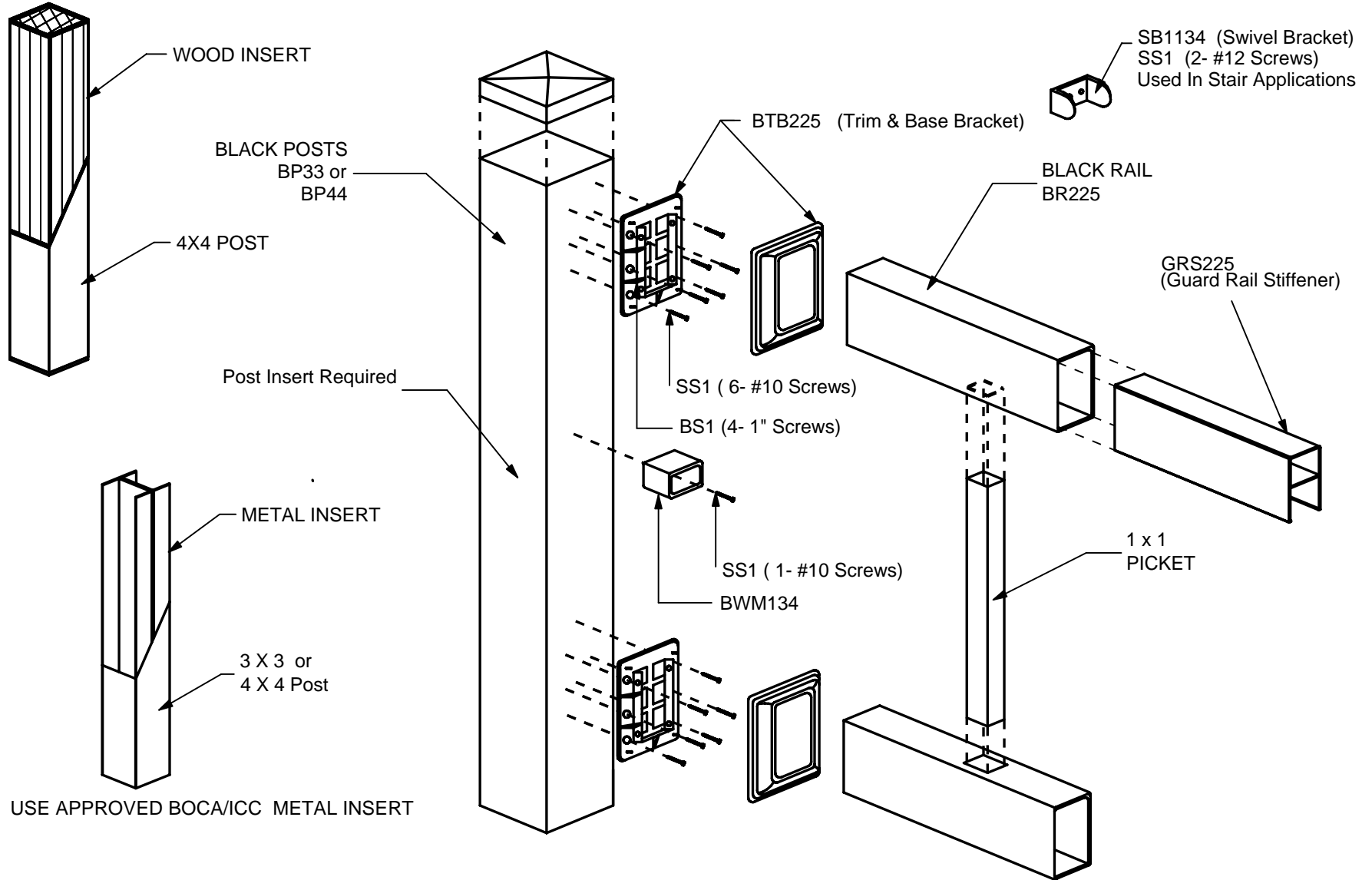


RESIDENTIAL DECK RAILING

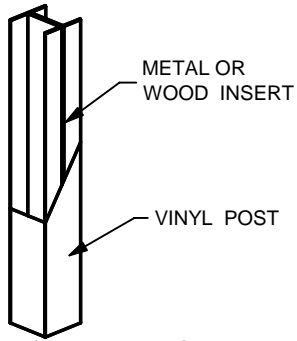


TYP. 36" RAILING DESIGN 3" & 4" POST

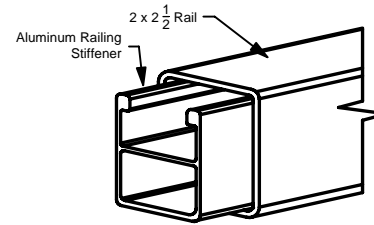


RESIDENTIAL RAILING

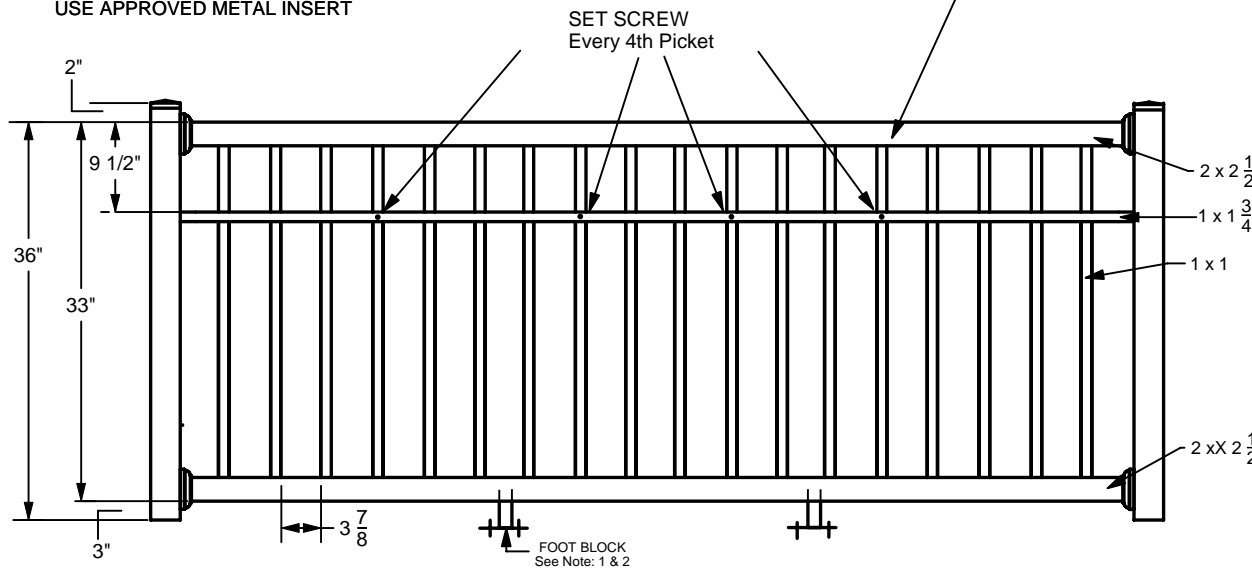
OPTIONAL POST INSET



USE APPROVED METAL INSERT



Typ. Top Rail



BILL OF MATERIALS

PART #	QUAN.	DESCRIPTION
BP4466 BP3366		4 x 4 x 44 3 x 3 x 44
BR225		2 x 2 1/2
BR1134		13/4 x 1
BPK11		1 x 1 x 32 1/2
		OPTIONAL CAPS
GRS225		Top Rail Alum. Stiffener
BTB225		TRIM & BASE BRACKET
AFB34		Alum. Foot Block
BWM134		Wall Mount 13/4 x 1
SS1		#10 x 2" SS Screws
BS1		1" SS Set Screws
SS1		#10 x 3" SS Screws

BSL161 - RAILING 36" WITH 3 7/8" SPACING - 1" x 1" PICKETS

Note: Use BOCA /ICC Approved Post Insert
Meets IBC, SBC & BOCA /ICC Code Requirements. See Local Building Code Authority for Compliance

NOTE: Notch Top & Bottom Picket
NOTE: (1) Use 2, #10-2" SS screws attached to deck
NOTE: (2) Alum foot blocks shall not exceed 3'4" spacing

Railing sections not to exceed 10'

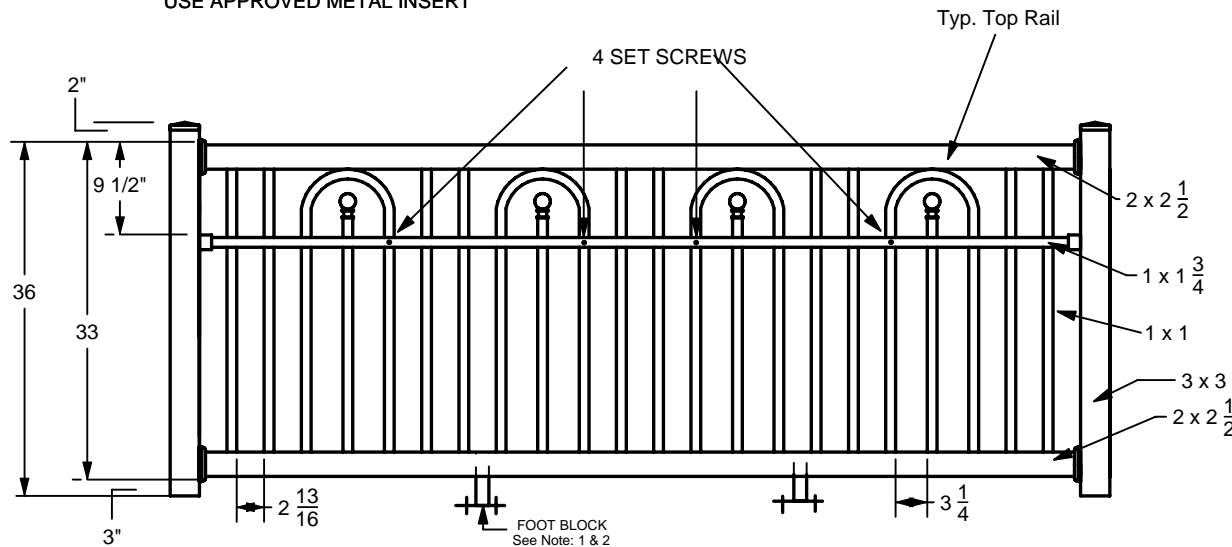
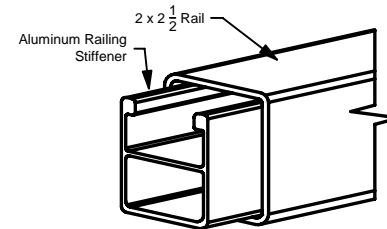
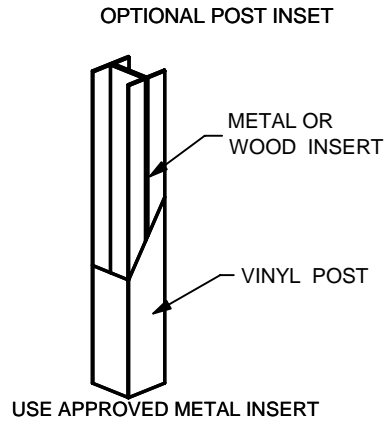
Available in 4' - 6' - 8' - 10' Lengths.

BLACKline™

fence products

ORNAMENTAL DESIGN	Toll Free (866)333-1050*Fax(402)333-2054 15801 Pacific Street * Omaha, NE 68118 Web Site: http://www.blacklinefence.com
#: BSL 161	
REV : 07/01/05-11/01/05	DWG NUMBER :
SCALE : 1 : 1	SHEET 1 OF 1
Property of Blackline	

RESIDENTIAL RAILING



BILL OF MATERIALS

PART #	QUAN.	DESCRIPTION
BP4466		4 x 4 x 38
BP3366		3 x 3 x 38
BR1134		1 x 1 3/4
BR225		2 x 2 1/2
BRP11		1 x 1 x 32 1/2
BRP11		1 x 1 x 27 1/2
HP1136		1 x 1 x 31 1/4 HAIRPIN
		OPTIONAL CAPS
BBC1		1" BALL CAPS
BS1		1" SET SCREWS
GRS225		Top Rail Alum. Stiffener
BTB225		TRIM & BASE BRACKET
BWM134		WALL MOUNT
SS1		#10 x 3" SS Screws
SS1		#10 x 2" SS Screws

BSL-163 RAILING HAIRPIN DESIGN - 36" WITH 3 1/4" & 2 13/16" SPACING 1" x 1" PICKETS

Note: Use BOCA /ICC Approved Post Insert
Meets IBC, SBC & BOCA /ICC Code Requirements. NOTE: (1) Use 2, #10-2" SS screws attached to deck
See Local Building Code Authority for Compliance

NOTE: Notch Top & Bottom Picket
NOTE: (2) Alum foot blocks shall not exceed 3'4" spacing

Railing sections not to exceed 10'

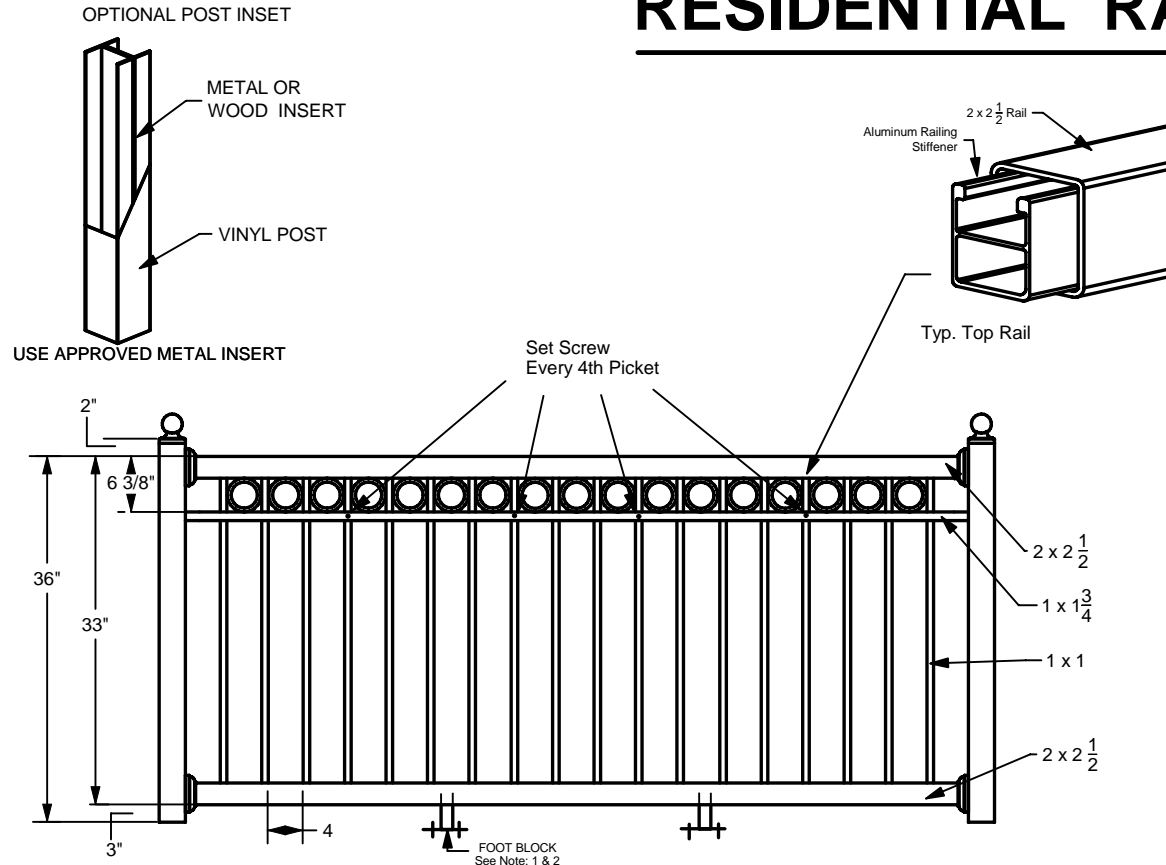
Available in 4' - 6' - 8' -10' Lengths.

BLACKline™

fence products

ORNAMENTAL DESIGN	Toll Free (866)333-1050*Fax(402)333-2054 15801 Pacific Street * Omaha, NE 68118 Web Site: http://www.blacklinefence.com
#: BSL 163	
REV : 07/01/05--11/01/05	DWG NUMBER :
SCALE : 1 : 1	SHEET 1 OF 1
Property of Blackline	

RESIDENTIAL RAILING



BILL OF MATERIALS		
PART #	QUAN.	DESCRIPTION
BP4466		4 x 4 x 44
BP3366		3 x 3 x 44
BR1134		1 3/4 x 1
BR225		2 x 2 1/2
BPK11		1 x 1 x 32 1/2
		OPTIONAL CAPS
BR4		4" O.D. RINGS
BTB225		TRIM & BASE BRACKET
GRS225		Top Rail Alum. Stiffener
AFB34		Alum. Foot Block
BWM134		Wall Mount 13/4 x 1
SS1		#10 -3" SS Screws
BS1		1" SS Set Screws
SS1		#10-2" SS Screws

BSL-164- RAILING 36" WITH 4" SPACING AND 4" RINGS- 1" x 1" PICKETS

Note: Use BOCA /ICC Approved Post Insert
Meets IBC, SBC & BOCA /ICC Code Requirements.
See Local Building Code Authority for Compliance

NOTE: Notch Top & Bottom Picket
NOTE: (1) Use 2, #10-2" SS screws attached to deck
NOTE: (2) Alum foot blocks shall not exceed 3'4" spacing

Railing sections not to exceed 10'

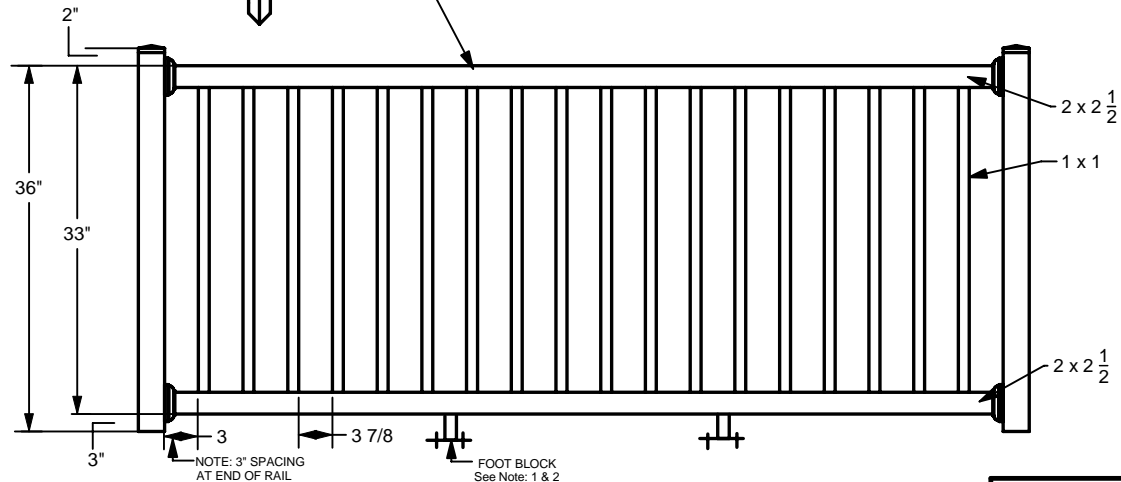
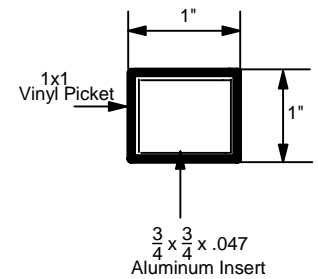
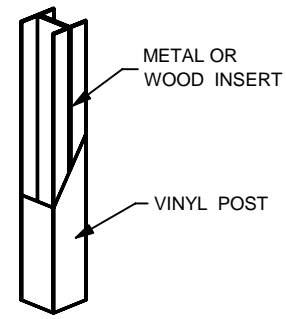
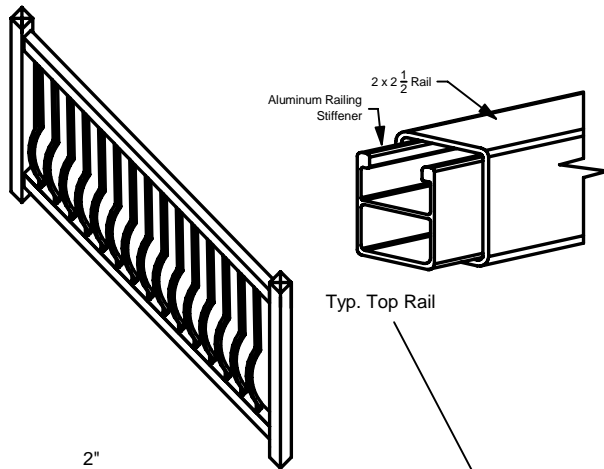
Available in 4' - 6' - 8' -10' Lengths.

BLACKline™

fence products

ORNAMENTAL DESIGN	Toll Free (866)333-1050*Fax(402)333-2054 15801 Pacific Street * Omaha, NE 68118 Web Site: http://www.blacklinefence.com
#: BSL 164	
REV : 07/01/05-11/01/05	DWG NUMBER :
SCALE : 1 : 1	SHEET 1 OF 1
Property of Blackline	

RESIDENTIAL RAILING



BILL OF MATERIALS		
PART #	QUAN.	DESCRIPTION
BP4476		4 x 4 x 44
BP3376		3 x 3 x 44
BR225		2 x 2 1/2
		OPTIONAL CAPS
BP11		1 x 1 x 32 1/2 BELLY
ASP11		3/4" Alum. Picket Insert
GRS22		Top Rail Alum Stiffener
BTB225		TRIM & BASE BRACKET
BS1		1" SS Set Screws
AFB34		Alum. Foot Block
SS1		#10 x 3" SS Screws
SS1		#10 x 2" SS Screws

BSL165 - RAILING BELLY PICKET - 36" WITH 3 7/8" SPACING 1" x 1" PICKETS

Note: Use BOCA /ICC Approved Post Insert
Meets BOCA /ICC, & IRC Code Requirements.
See Local Building Code Authority for Compliance

NOTE: Notch Top & Bottom Picket
NOTE: (1) Use 2, #10-2" SS screws attached to deck
NOTE: (2) Alum foot blocks shall not exceed 3'4" spacing

Railing sections not to exceed 10'

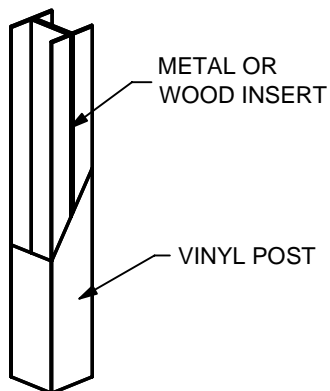
Available in 4' - 6' - 8' - 10' Lengths.

BLACKline™
fence products

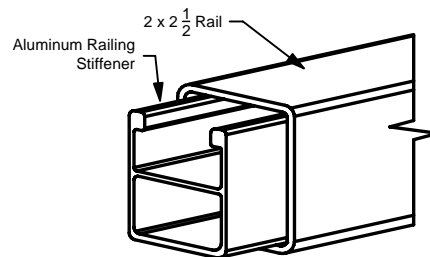
ORNAMENTAL DESIGN	Toll Free (866)333-1050*Fax(402)333-2054 15801 Pacific Street * Omaha, NE 68118 Web Site: http://www.blacklinefence.com
#: BSL 165	
REV : 07/01/05-11/01/05	DWG NUMBER :
SCALE : 1 : 1	SHEET 1 OF 1
Property of Blackline	

RESIDENTIAL RAILING

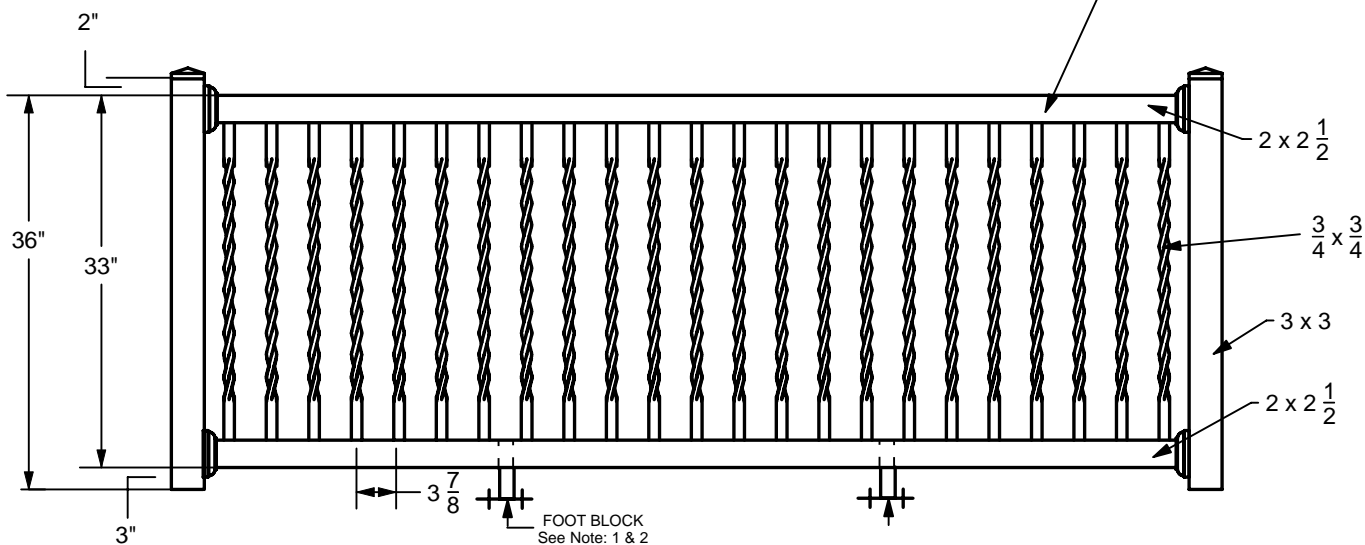
OPTIONAL POST INSERT



USE APPROVED METAL INSERT



Typ. Top Rail



BILL OF MATERIALS		
PART #	QUAN.	DESCRIPTION
BP3376 BP4476		3 x 3 x 44 4 x 4 x 44
BR225		2 x 2 1/2
BTP343436		3/4 x 3/4 x 32 1/2
		OPTIONAL CAPS
GRS225		Top Rail Alum. Stiffener
BTB225		TRIM & BASE BRACKET
AFB34		Alum. Foot Block
SS1		#10 x 2" SS Screws
SS1		#10 x 3" SS Screws

BSL168 - RAILING 36" WITH 3 7/8" SPACING - 3/4" x 3/4" PICKETS

Note: Use BOCA/ICC Approved Post Insert
Meets IRC Code Requirements.
See Local Building Code Authority for Compliance
Not Recommended for Heights Over 30"

NOTE: Notch Top & Bottom Picket
NOTE: (1) Use 2, #10-2" SS screws attached to deck
NOTE: (2) Alum foot blocks shall not exceed 3/4" spacing

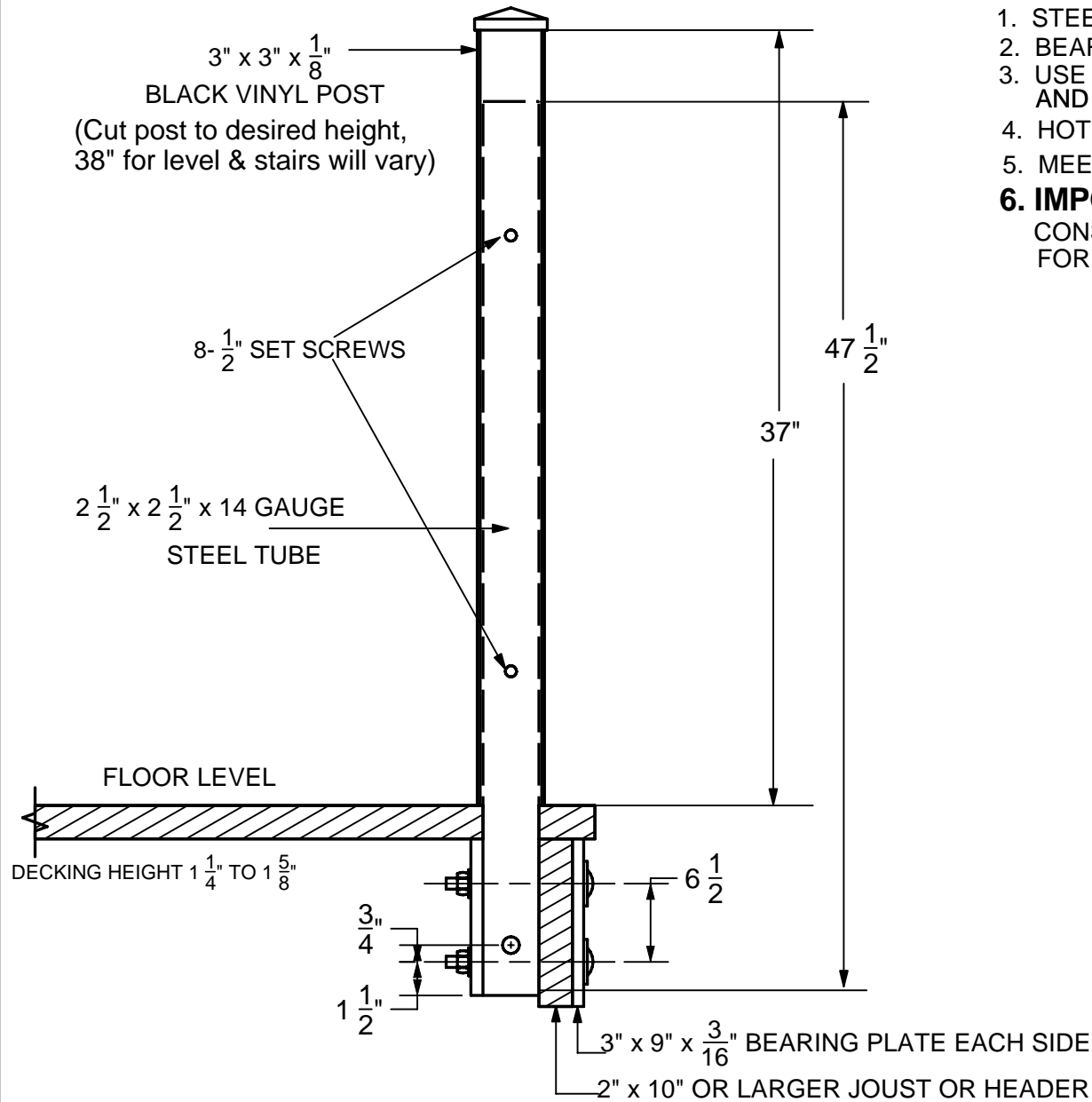
Railing sections not to exceed 10'

Available in 4' - 6' - 8' -10' Lengths

BLACKline™

fence products

ORNAMENTAL DESIGN	Toll Free (866)333-1050*Fax(402)333-2054 15801 Pacific Street * Omaha, NE 68118 Web Site: http://www.blacklinefence.com
#: BSL 168	
REV : 07/01/05-11/01/05	DWG NUMBER :
SCALE : 1 : 1	SHEET 1 OF 1
Property of Blackline	



NOTES:

1. STEEL TUBE TO BE ASTM A500 GR. A STEEL.
2. BEARING PLATES GR. 50 STEEL
3. USE GALVANIZED BOLTS, NUTS, WASHERS, AND LOCK WASHERS.
4. HOT DIPPED GALVANIZED STEEL TUBE
5. MEETS BOCA/ ICC/ ICB/ IRC REQUIREMENTS.
- 6. IMPORTANT:**
CONSULT YOUR LOCAL CODE OFFICIALS FOR BUILDING CODE REQUIREMENTS.

BILL OF MATERIALS

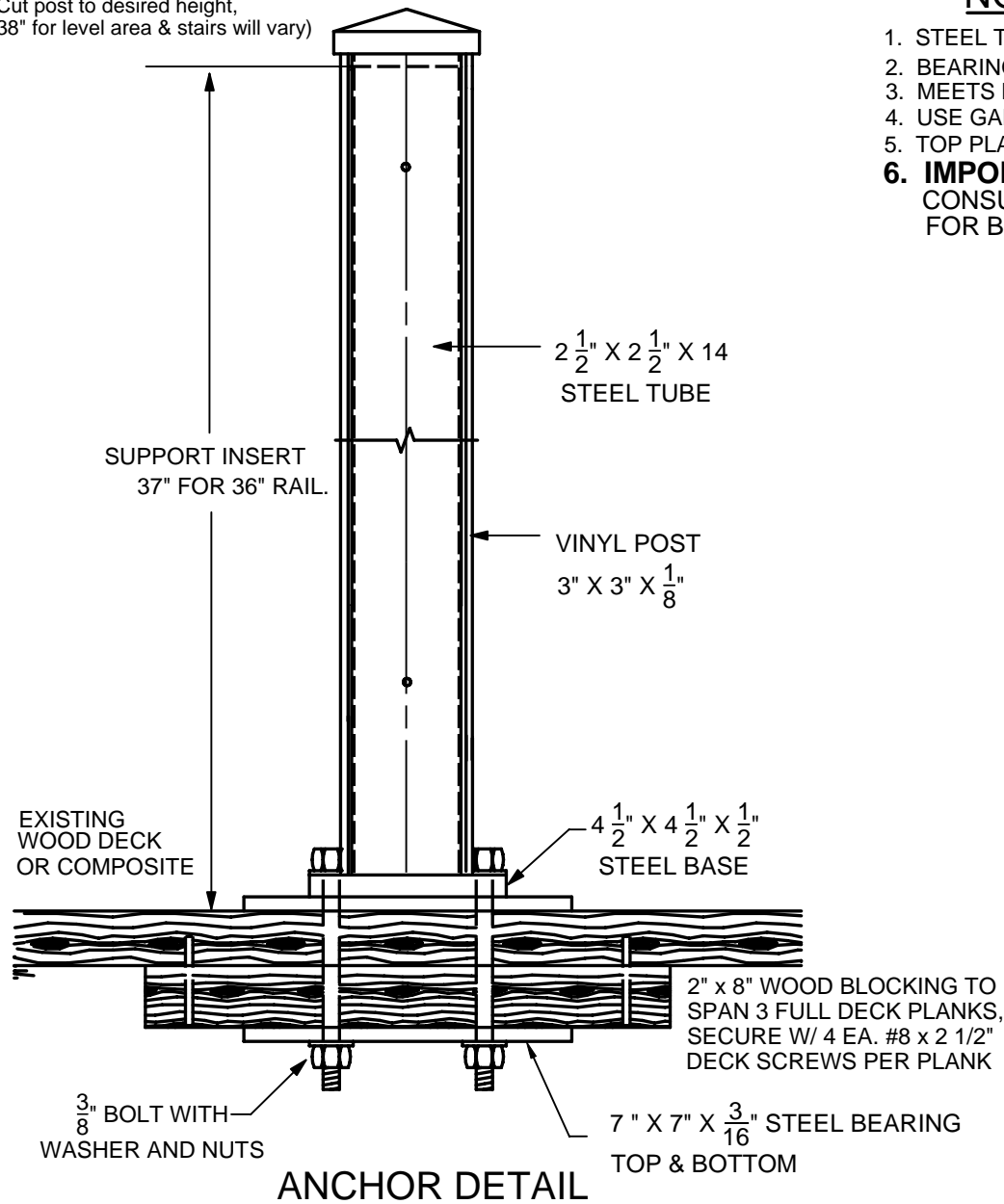
PART #	QUAN.	DESCRIPTION
BP3338	1	3 x 3 x 38
	1	2 1/2 x 2 1/2 x 47 1/2" GALV. TOWER
SS1	24	#12 x 1" FLAT HEAD SCREWS
	3	1/2" x 6" CARRIDGE BOLTS - GALV.
	3	1/2" LOCK WASHER - GALV.
	3	1/2" NUTS - GALV.
	2	3" x 9" x 3/16" BEARING PLATES

BLACKline™
fence products

ORNAMENTAL DESIGN	Toll Free (866)333-1050*Fax(402)333-2054 15801 Pacific Street * Omaha, NE 68118 Web Site: http://www.blacklinefence.com	
RDTW3336 GALV.		
REV : 07/01/05	DWG NUMBER :	
SCALE : 1 : 1		SHEET 1 OF 1
Property of Blackline		

36" RESIDENTIAL GALV. DECK POST INSERT

(Cut post to desired height,
38" for level area & stairs will vary)



NOTES:

1. STEEL TUBE TO BE ASTM A500 GRADE A STEEL
2. BEARING PLATE TO BE GR. 50 STEEL, PAINTED BLACK
3. MEETS BOCA/ ICC/ IBC/ IRC REQUIREMENTS.
4. USE GALVANIZED STEEL AND ANCHORS
5. TOP PLATE NOT REQ'D W/ COMPOSITE DECKING.
6. **IMPORTANT:**
CONSULT YOUR LOCAL CODE OFFICIALS
FOR BUILDING CODE REQUIREMENTS.

BILL OF MATERIALS

PART #	QUAN.	DESCRIPTION
BP3345	1	3 x 3 x 38-----stairs 45
	1	2 1/2 x 2 1/2 x 37" GALV. TOWER
SS1	24	#12 x 1" FLAT HEAD SCREWS
	4	1/2" x 4" BOLTS - GALV.
	4	1/2" WASHERS - GALV.
	4	1/2" NUTS - GALV.
	2	7" x 7" x 3/16" GALV. PLATE

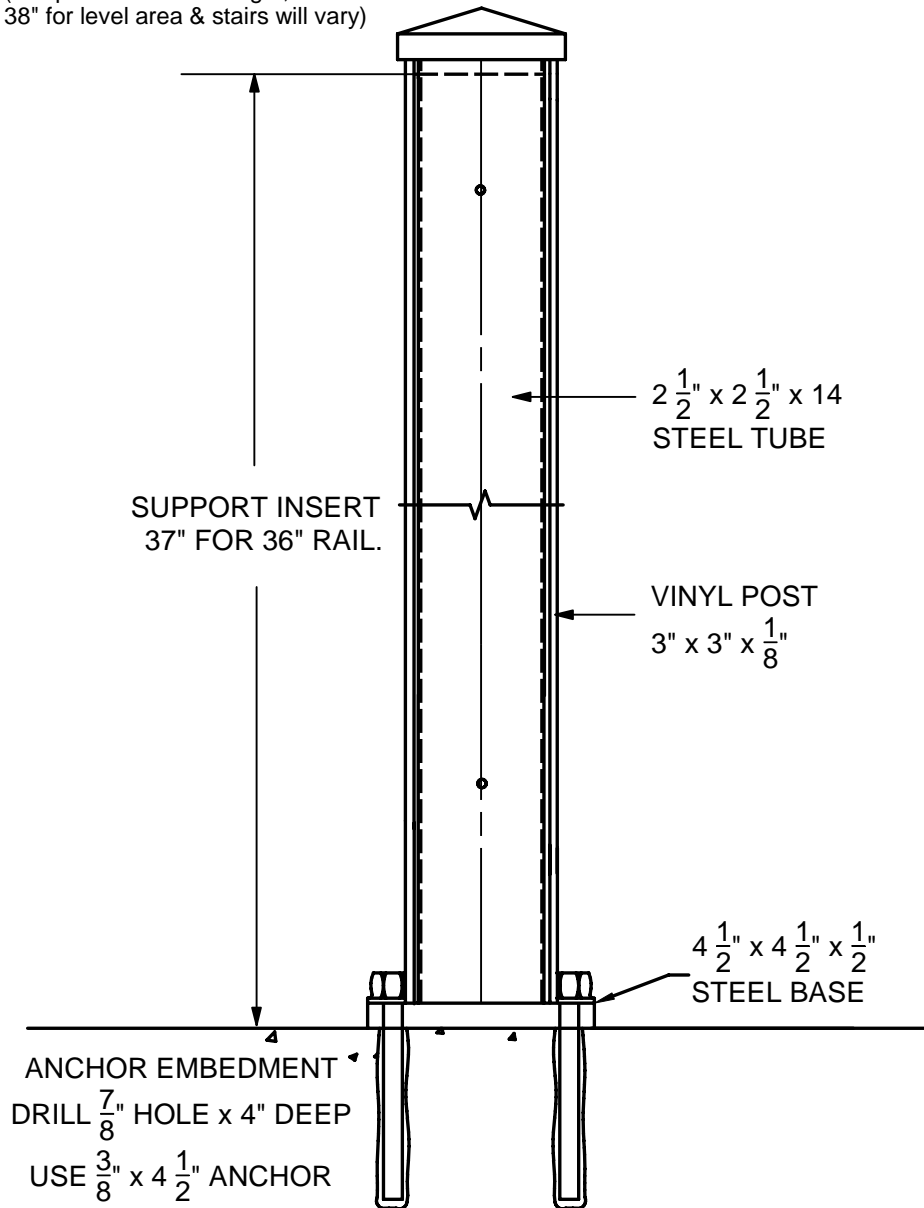
BLACKline™

fence products

ORNAMENTAL DESIGN	Toll Free (866)333-1050*Fax(402)333-2054
CTW3336 GALV.	15801 Pacific Street * Omaha, NE 68118
REV : 07/01/05	Web Site: http://www.blacklinefence.com
SCALE : 1 : 1	DWG NUMBER :
Property of Blackline	SHEET 1 OF 1

36" RES. GALVANIZED POST INSERT ON WOOD DECK

(Cut post to desired height,
38" for level area & stairs will vary)



ANCHOR DETAIL

36" RES. GALVANIZED POST INSERT
ON CONCRETE SLAB

NOTES:

1. 3/8" x 4 1/2" ANCHOR TO HAVE ALLOWABLE WORKING PULLOUT STRENGTH NOT LESS THAN 1,200 POUNDS. PREPARE SURFACES, CLEAN HOLES, INSTALL ANCHORS AND TIGHTEN IN ACCORDANCE WITH MANUFACTURERS RECOMMENDATIONS.
2. STEEL TUBE TO BE ASTM A500 GRADE A STEEL
3. MEETS BOCA/ICC/IBC & IRC REQUIREMENTS.
4. HOT DIPPED GALVANIZED STEEL AND ANCHORS
5. **IMPORTANT:**
CONSULT YOUR LOCAL CODE OFFICIALS FOR BUILDING CODE REQUIREMENTS.

BILL OF MATERIALS

PART #	QUAN.	DESCRIPTION
BP3345	1	3 x 3 x 38-----stairs 45
	1	2 1/2 x 2 1/2 x 37" GALV. TOWER
SS1	24	#12 x 1" FLAT HEAD SCREWS
	4	3/8" x 4 1/2" ANCHOR BOLTS - GALV.

BLACKline™
fence products

ORNAMENTAL DESIGN	Toll Free (866)333-1050*Fax(402)333-2054	
CTC3336 GALV.	15801 Pacific Street * Omaha, NE 68118	
REV : 07/01/05	Web Site: http://www.blacklinefence.com	
SCALE : 1 : 1	DWG NUMBER :	SHEET 1 OF 1
Property of Blackline		