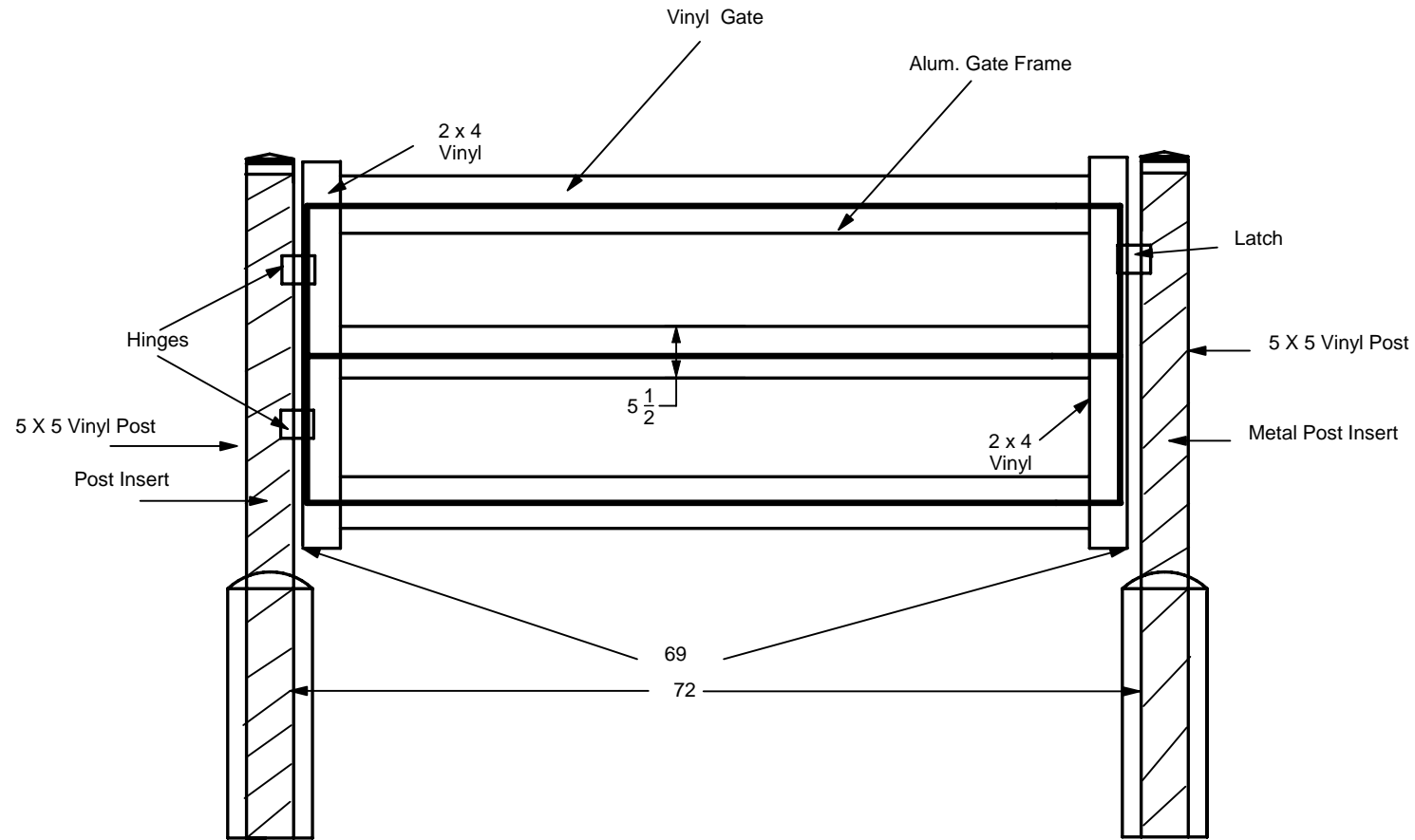


BILL OF MATERIALS		
PART #	QUAN.	DESCRIPTION

TYP. RANCH RAIL 2, 3 & 4
(All Rails Shall Alternate)

BLACKline™
fence products

ORNAMENTAL DESIGN	Toll Free (866)333-1050*Fax(402)333-2054 15801 Pacific Street * Omaha, NE 68118 Web Site: http://www.blacklinefence.com
REV : 7/1/04--11/1/04	DWG NUMBER :
SCALE : 1 : 1	SHEET 1 OF 1
Property of Blackline	



BILL OF MATERIALS		
PART #	QUAN.	DESCRIPTION
		72" VINYL Gate
		Latch
		Hinges
		ALUM. Gate Frame

TYPICAL RANCH GATE WITH ALUM. FRAME INSIDE VINYL RAILS
72" Wide 3 Rail Gate

BLACKline™
fence products

Gate	Toll Free (866)333-1050*Fax(402)333-2054	
3R72	15801 Pacific Street * Omaha, NE 68118	
	Web Site: http://www.blacklinefence.com	
REV : 11/1/04	DWG NUMBER :	
SCALE : 1 : 1		SHEET 1 OF 1
Property of Blackline		