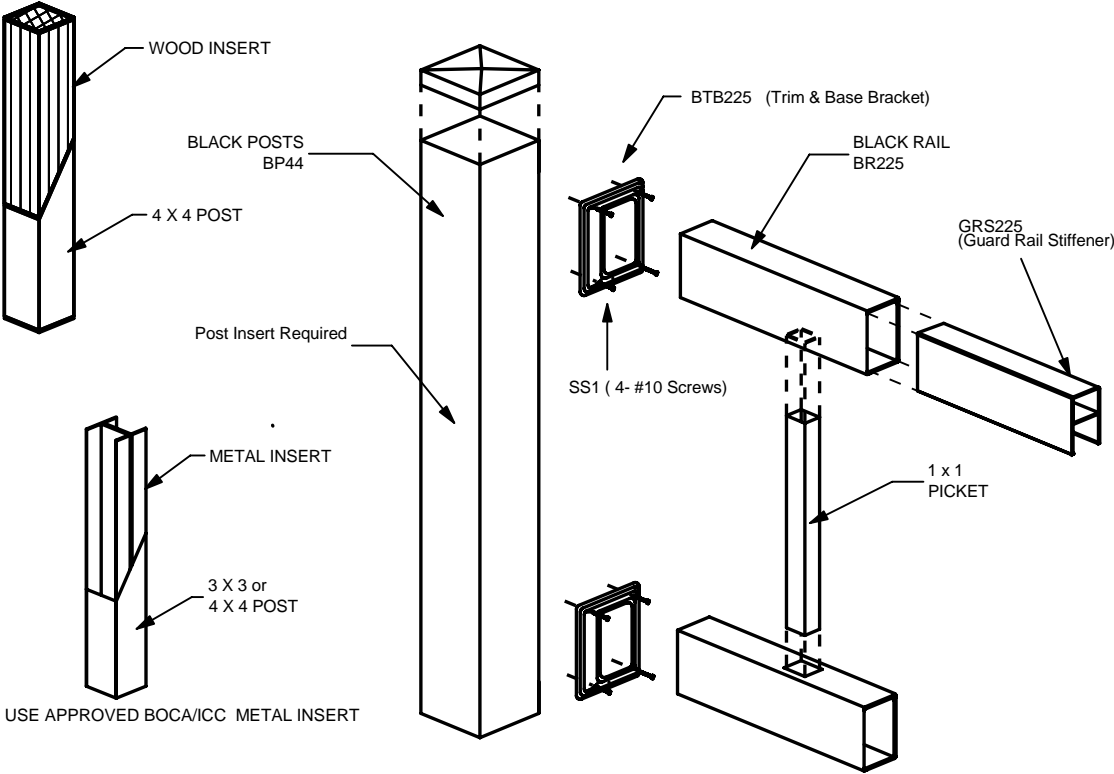


# COMMERCIAL DECK RAILING

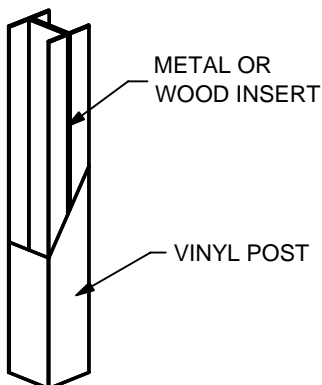


TYP. 42" RAILING DESIGN 3" or 4" POST

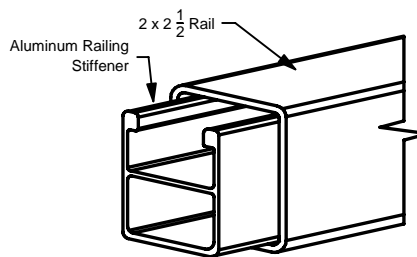


# COMMERCIAL RAILING

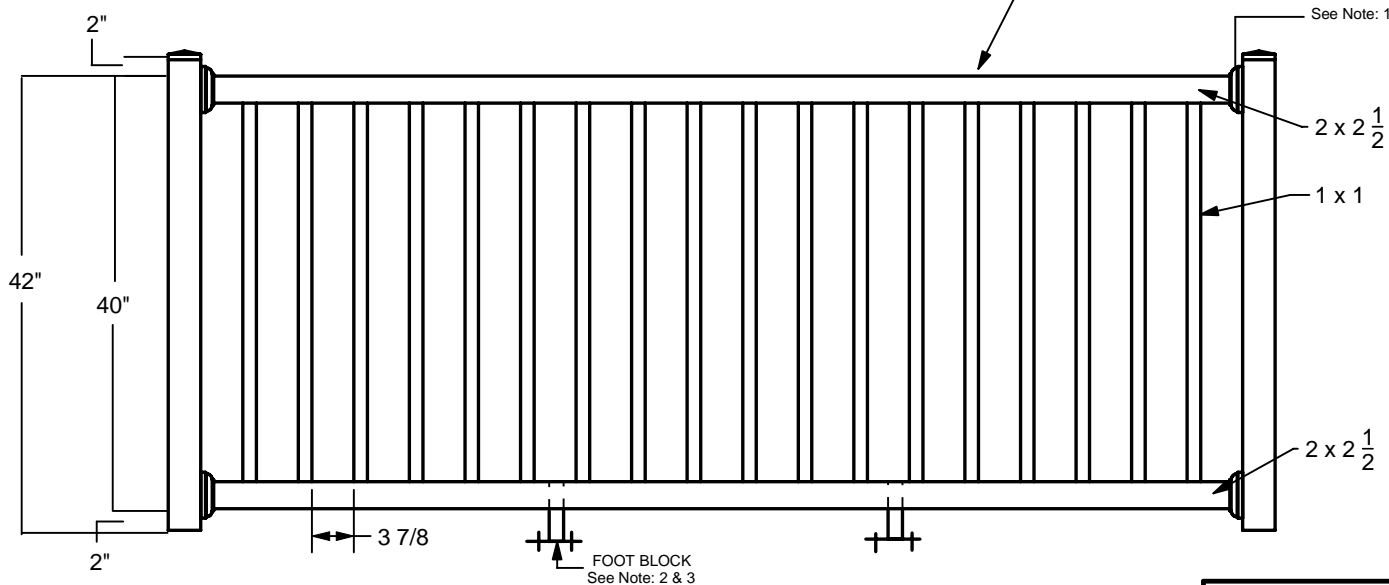
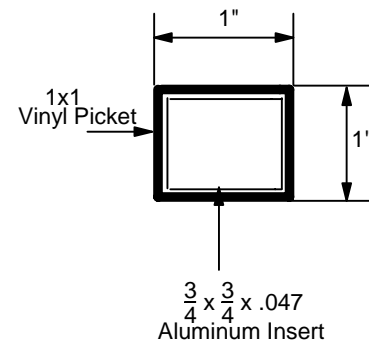
OPTIONAL POST INSET



USE APPROVED METAL INSERT



Typ. Top Rail



## BILL OF MATERIALS

PART #	QUAN.	DESCRIPTION
BP3376		3 x 3 x 44
BP4476		4 x 4 x 44
BR2258	2	2 x 2 1/2 Top & Bottom Rail
BP114	18	1 x 1 x 38 1/2
		OPTIONAL CAPS
GRS2258	1	Top Rail Alum. Stiffener
CRB225	4	2 x 2 1/2 Rail Brackets
ASP114	18	3/4" Alum Picket Insert
BS1	4	1" Set Screws
SS1	16	#10 x 3" Screws
SS1	4	#10 x 2" Screws
AFB34	2	Alum. Foot Block

## BSL170 - RAILING 42" WITH 3 7/8" SPACING - 1" x 1" PICKETS WITH ALUMINUM PICKET INSERT

Note: Use BOCA/ICC Approved Post Insert  
Meets IBC, SBC & BOCA/ICC Code Requirements.  
See Local Building Code Authority for Compliance

Railing sections not to exceed 10'

Available in 4' - 6' - 8' - 10' Lengths.

NOTE: Notch Top & Bottom Picket

NOTE: (1) Use 1" set screw on top of bracket through rail for all brackets

NOTE: (2) Use 2, #10-2" SS screws attached to deck

NOTE: (3) Alum foot blocks shall not exceed 3'4" spacing

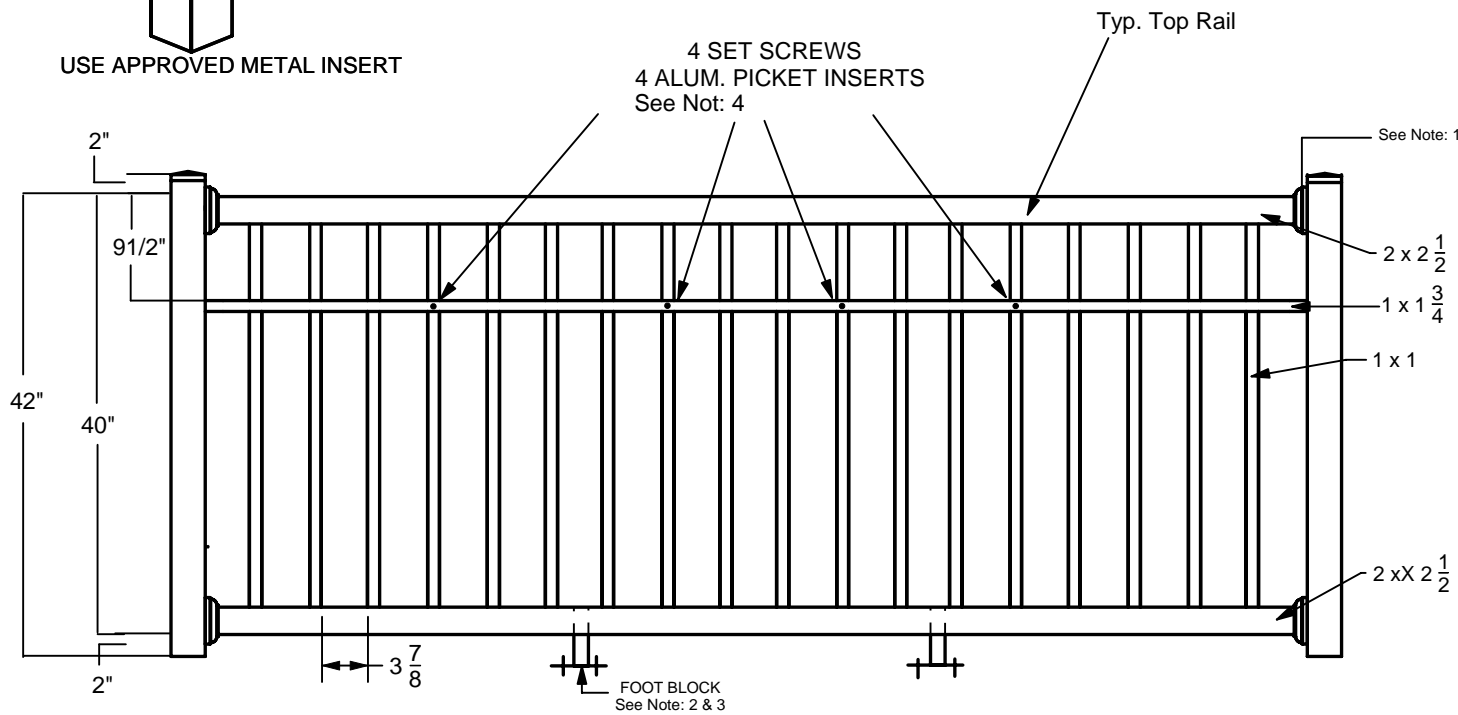
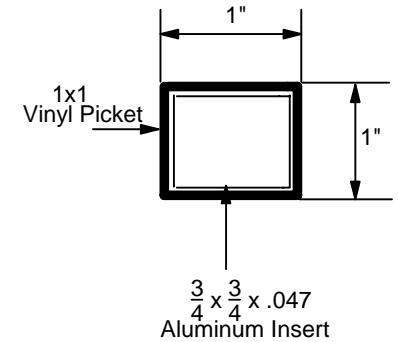
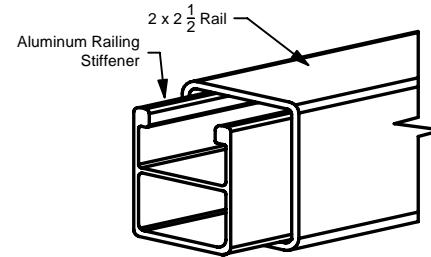
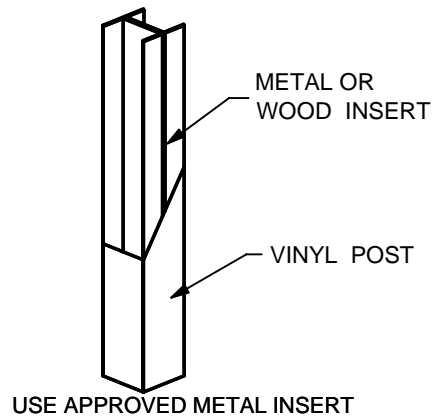
# BLACKline™

fence products

ORNAMENTAL DESIGN	Toll Free (866)333-1050*Fax(402)333-2054 15801 Pacific Street * Omaha, NE 68118 Web Site: <a href="http://www.blacklinefence.com">http://www.blacklinefence.com</a>
#: BSL 170	
REV : 07/01/05	DWG NUMBER :
SCALE : 1 : 1	SHEET 1 OF 1
Property of Blackline	

# COMMERCIAL RAILING

OPTIONAL POST INSET



BILL OF MATERIALS		
PART #	QUAN.	DESCRIPTION
BP4466 BP3366		4 x 4 x 44 3 x 3 x 44
BR2258	2	2 x 2 1/2 Top & Bottom Rail
BR11348	1	13/4 x 1 Middle Rail
BPK114	18	1 x 1 x 38 1/2 Pickets
		OPTIONAL CAPS
GRS2258	1	Top Rail Alum. Stiffener
CRB225	4	2 x 2 1/2 Rail Brackets
APS114	4	3/4" Alum Picket Insert
SS1	16	#10 x 3" SS Screws
AFB34	2	Alum. Foot Block
BS1	8	1" SS Set Screws
SS1	4	#10 x 2" SS Screws

BSL171 - RAILING 42" WITH 3 7/8" SPACING - 1" x 1" PICKETS

Note: Use BOCA /ICC Approved Post Insert  
Meets IBC, SBC & BOCA /ICC Code Requirements.  
See Local Building Code Authority for Compliance

Railing sections not to exceed 10'

Available in 4' - 6' - 8' -10' Lengths.

NOTE: Notch Top & Bottom Picket

NOTE: (1) Use 1" set screw on top of bracket through rail for all brackets

NOTE: (2) Use 2, #10-2" SS screws attached to deck

NOTE: (3) Alum foot blocks shall not exceed 3'4" spacing

NOTE: (4) Alum Insert for pickets every 4th Picket

**BLACKline™**  
fence products

ORNAMENTAL DESIGN

Toll Free (866)333-1050\*Fax(402)333-2054  
15801 Pacific Street \* Omaha, NE 68118  
Web Site: <http://www.blacklinefence.com>

#: BSL 171

REV : 07/01/05

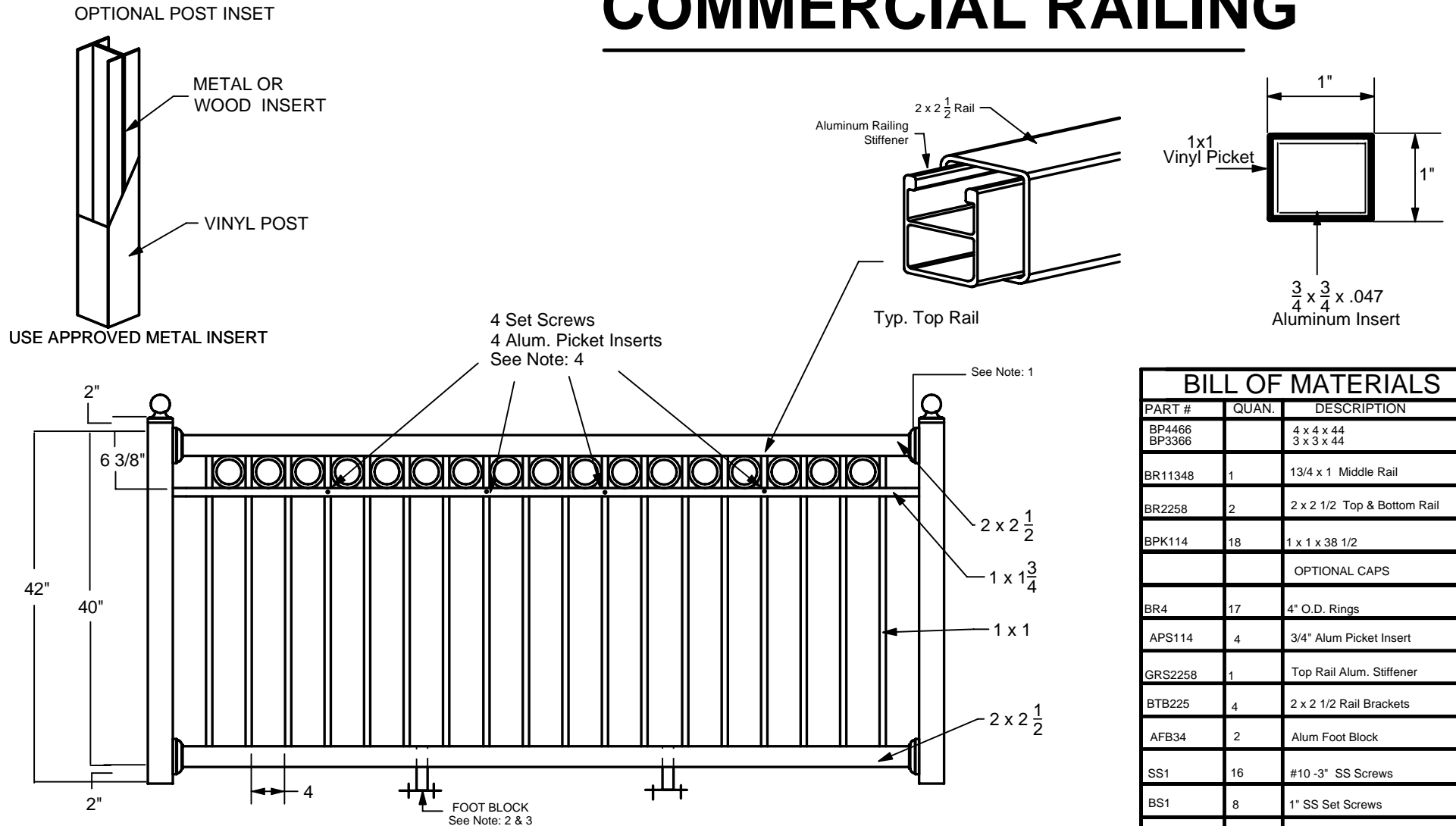
DWG NUMBER :

SCALE : 1 : 1

SHEET 1 OF 1

Property of Blackline

# COMMERCIAL RAILING



BILL OF MATERIALS		
PART #	QUAN.	DESCRIPTION
BP4466 BP3366		4 x 4 x 44 3 x 3 x 44
BR11348	1	13/4 x 1 Middle Rail
BR2258	2	2 x 2 1/2 Top & Bottom Rail
BPK114	18	1 x 1 x 38 1/2
		OPTIONAL CAPS
BR4	17	4" O.D. Rings
APS114	4	3/4" Alum Picket Insert
GRS2258	1	Top Rail Alum. Stiffener
BTB225	4	2 x 2 1/2 Rail Brackets
AFB34	2	Alum Foot Block
SS1	16	#10-3" SS Screws
BS1	8	1" SS Set Screws
SS1	4	#10-2" SS Screws

## BSL-174- RAILING 42" WITH 4" SPACING AND 4" RINGS- 1" x 1" PICKETS

Note: Use BOCA /ICC Approved Post Insert  
Meets IBC, SBC & BOCA /ICC Code Requirements.  
See Local Building Code Authority for Compliance

Railing sections not to exceed 10'

Available in 4' - 6' - 8' -10' Lengths.

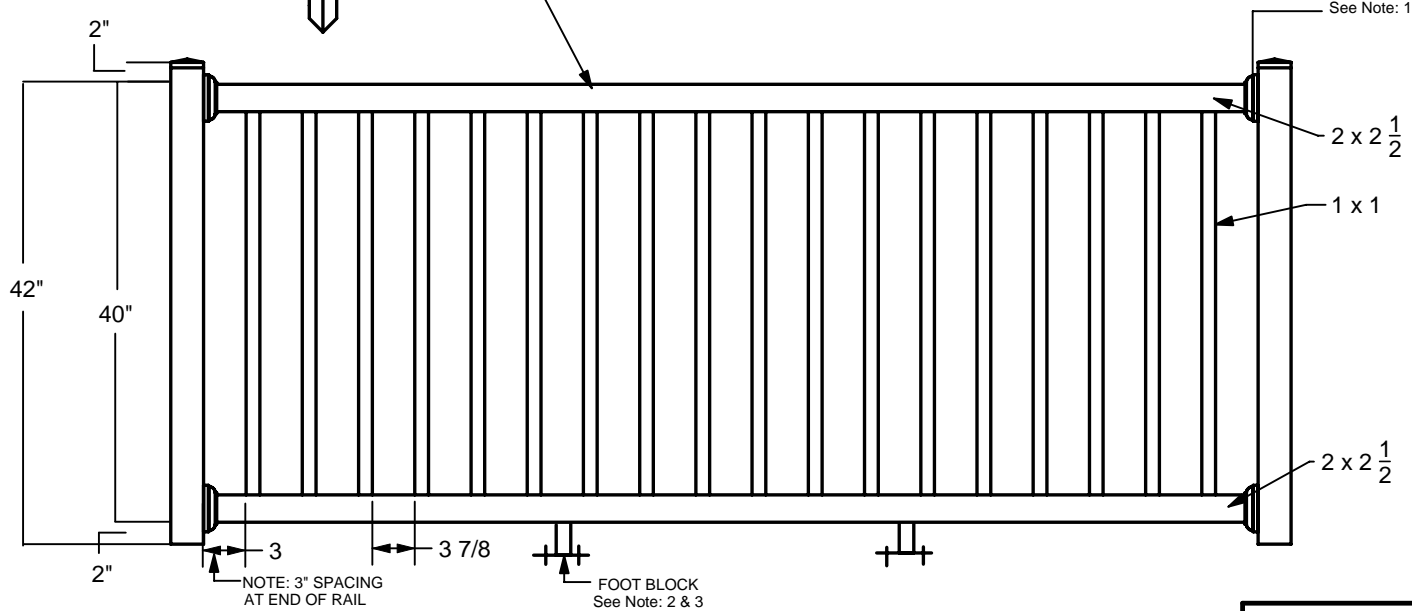
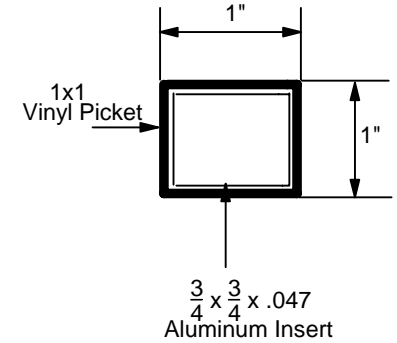
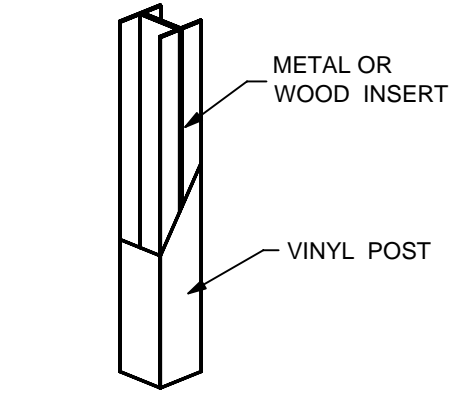
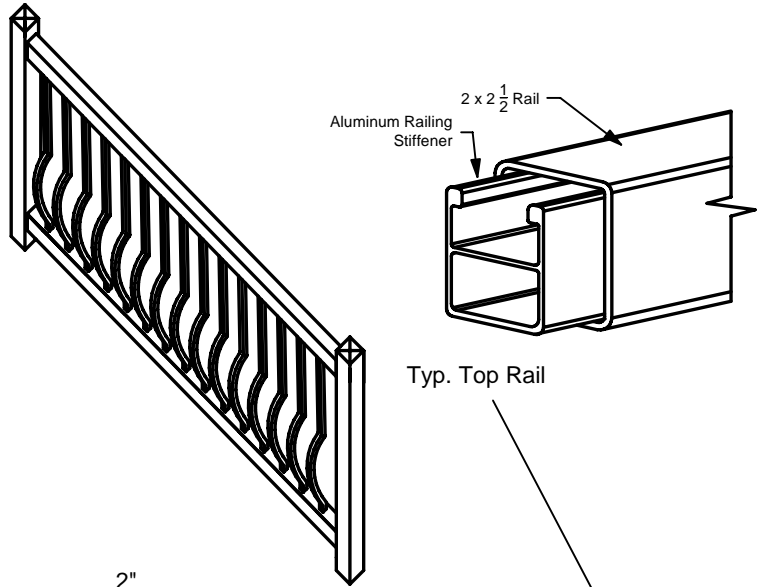
NOTE: Notch Top & Bottom Picket  
NOTE: (1) Use 1" set screw on top of bracket through rail for all brackets  
NOTE: (2) Use 2, #10-2" SS screws attached to deck  
NOTE: (3) Alum foot blocks shall not exceed 3'4" spacing  
NOTE: (4) Alum Insert for Pickets every 4th Picket

# BLACKline™

fence products

ORNAMENTAL DESIGN	Toll Free (866)333-1050*Fax(402)333-2054 15801 Pacific Street * Omaha, NE 68118 Web Site: <a href="http://www.blacklinefence.com">http://www.blacklinefence.com</a>
#: BSL 174	
REV : 07/01/05	DWG NUMBER :
SCALE : 1 : 1	SHEET 1 OF 1
Property of Blackline	

# COMMERCIAL RAILING



BILL OF MATERIALS		
PART #	QUAN.	DESCRIPTION
BP4476		4 x 4 x 44
BP3376		3 x 3 x 44
BR2258	2	2 x 2 1/2 Top & Bottom Rail
		OPTIONAL CAPS
BP1142	18	1 x 1 x 38 1/2 BELLY
ASP114	18	3/4" Alum Picket Insert
GRS2258	1	Top Rail Alum. Stiffener
CRB225	4	2 x 2 1/2 Rail Brackets
BS1	4	1" Set Screws
AFB34	2	Alum. Foot Block
SS1	16	#10 x 3" SS Screws
SS1	4	#10 x 2" SS Screws

## BSL175 - RAILING BELLY PICKET - 36" WITH 3 7/8" SPACING 1" x 1" PICKETS

Note: Use BOCA /ICC Approved Post Insert  
Meets BOCA /ICC, & IRC Code Requirements.  
See Local Building Code Authority for Compliance

NOTE: Notch Top & Bottom Picket  
NOTE: (1) Use 1" set screw on top of bracket through rail for all brackets

Railing sections not to exceed 10'

NOTE: (2) Use 2, #10-2" SS screws attached to deck  
NOTE: (3) Alum foot blocks shall not exceed 3'4" spacing

Available in 4' - 6' - 8' - 10' Lengths.

# BLACKline™

fence products

ORNAMENTAL DESIGN

Toll Free (866)333-1050\*Fax(402)333-2054  
15801 Pacific Street \* Omaha, NE 68118  
Web Site: <http://www.blacklinefence.com>

#: BSL 175

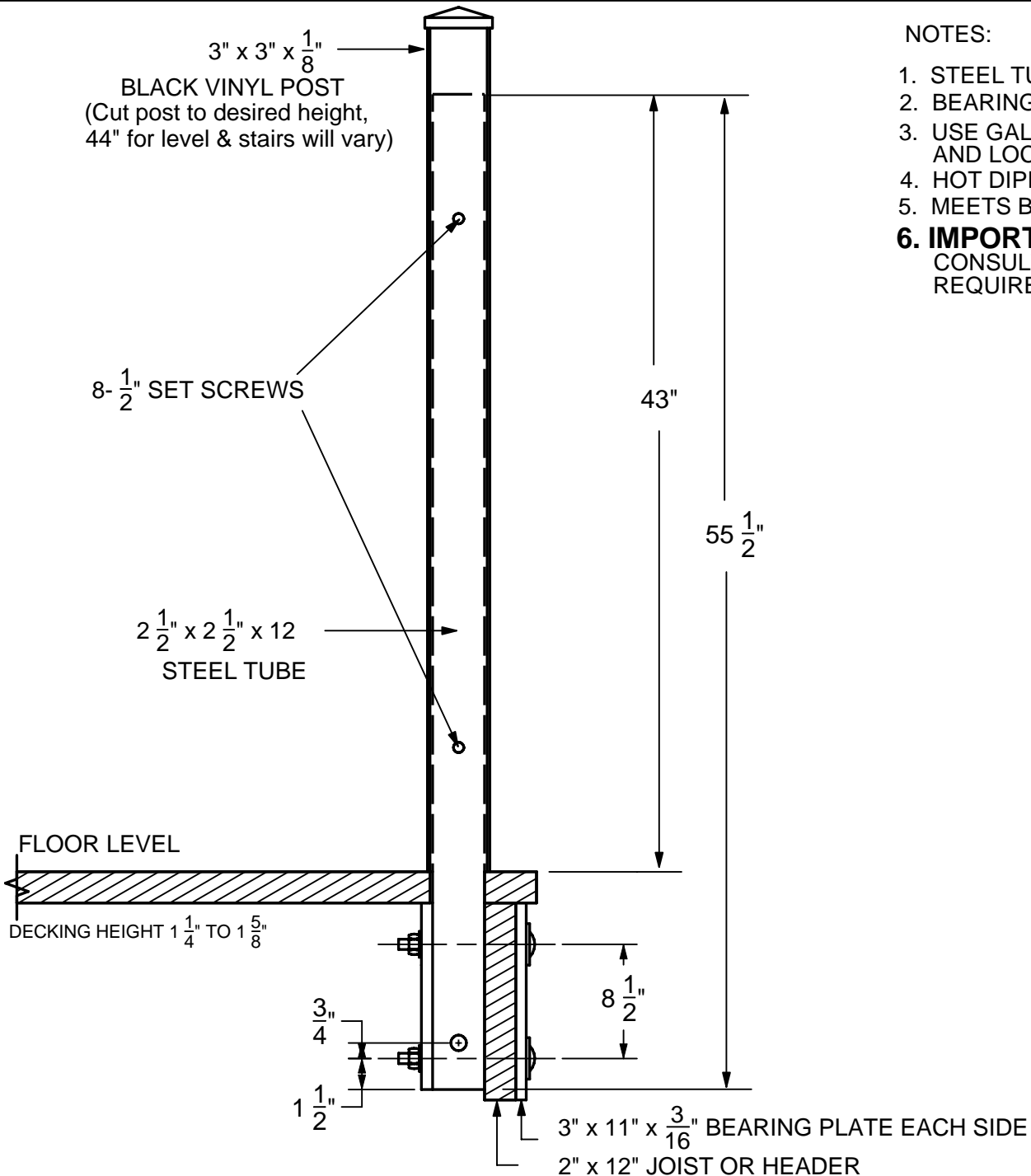
REV : 07/01/05

DWG NUMBER :

SCALE : 1 : 1

SHEET 1 OF 1

Property of Blackline



NOTES:

1. STEEL TUBE TO BE ASTM A500 GRADE A STEEL
2. BEARING PLATE GR. 50 STEEL
3. USE GALVANIZED BOLTS, NUTS, WASHERS, AND LOCK WASHERS.
4. HOT DIPPED GALVANIZED TUBE
5. MEETS BOCA / ICC/ IBC REQUIREMENTS.
6. **IMPORTANT:**  
CONSULT LOCAL CODE OFFICIALS FOR BUILDING CODE REQUIREMENTS.

BILL OF MATERIALS

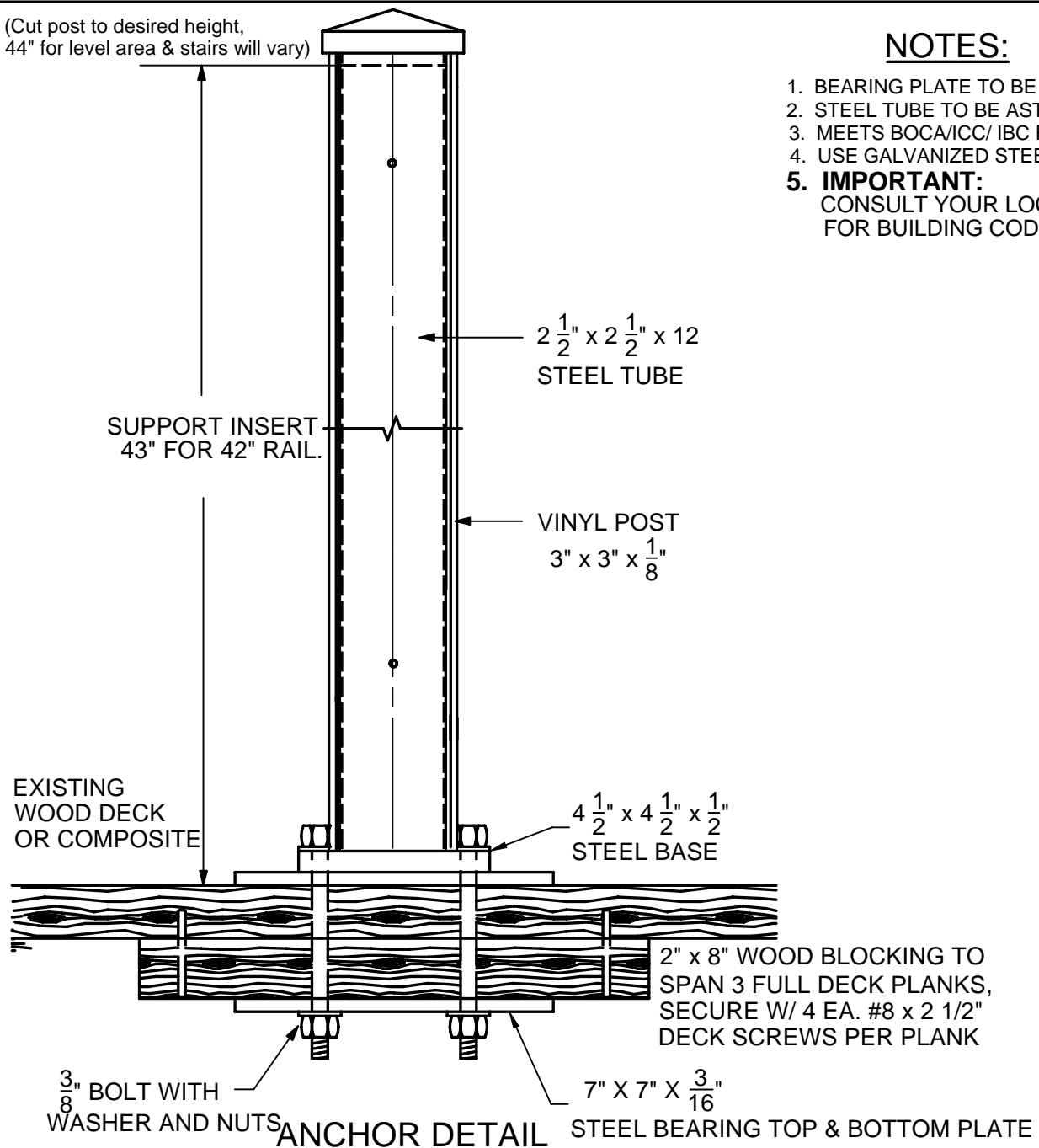
PART #	QUAN.	DESCRIPTION
BP3344	1	3 x 3 x 44
	1	2 1/2 x 2 1/2 x 55 1/2" GALV. TOWER
SS1	24	#12 x 1" FLAT HEAD SCREWS
	3	1/2" x 6" CARRIDGE BOLTS - GALV.
	3	1/2" LOCK WASHER - GALV.
	3	1/2" NUTS - GALV.
	2	3" x 11" x 3/16" BEARING PLATE

**BLACKline™**  
fence products

ORNAMENTAL DESIGN	Toll Free (866)333-1050*Fax(402)333-2054
CDTW3342 GALV.	15801 Pacific Street * Omaha, NE 68118
REV : 07/01/05	Web Site: <a href="http://www.blacklinefence.com">http://www.blacklinefence.com</a>
SCALE : 1 : 1	DWG NUMBER :
Property of Blackline	SHEET 1 OF 1

42" COMMERCIAL GALVANIZED POST INSERT

(Cut post to desired height,  
44" for level area & stairs will vary)



### NOTES:

1. BEARING PLATE TO BE GR. 50 STEEL, PAINTED BLACK
2. STEEL TUBE TO BE ASTM A500 GRADE A STEEL
3. MEETS BOCA/ICC/ IBC REQUIREMENTS.
4. USE GALVANIZED STEEL AND ANCHORS
5. **IMPORTANT:**  
CONSULT YOUR LOCAL CODE OFFICIALS  
FOR BUILDING CODE REQUIREMENTS.

### BILL OF MATERIALS

PART #	QUAN.	DESCRIPTION
BP3344	1	3 x 3 x 44
	1	2 1/2 x 2 1/2 x 43" GALV. TOWER
SS1	24	#12 x 1" FLAT HEAD SCREWS
	4	1/2" x 4" BOLTS - GALV.
	4	1/2" WASHERS - GALV.
	4	1/2" NUTS - GALV.
	2	7" x 7" x 3/16" GALV. PLATE

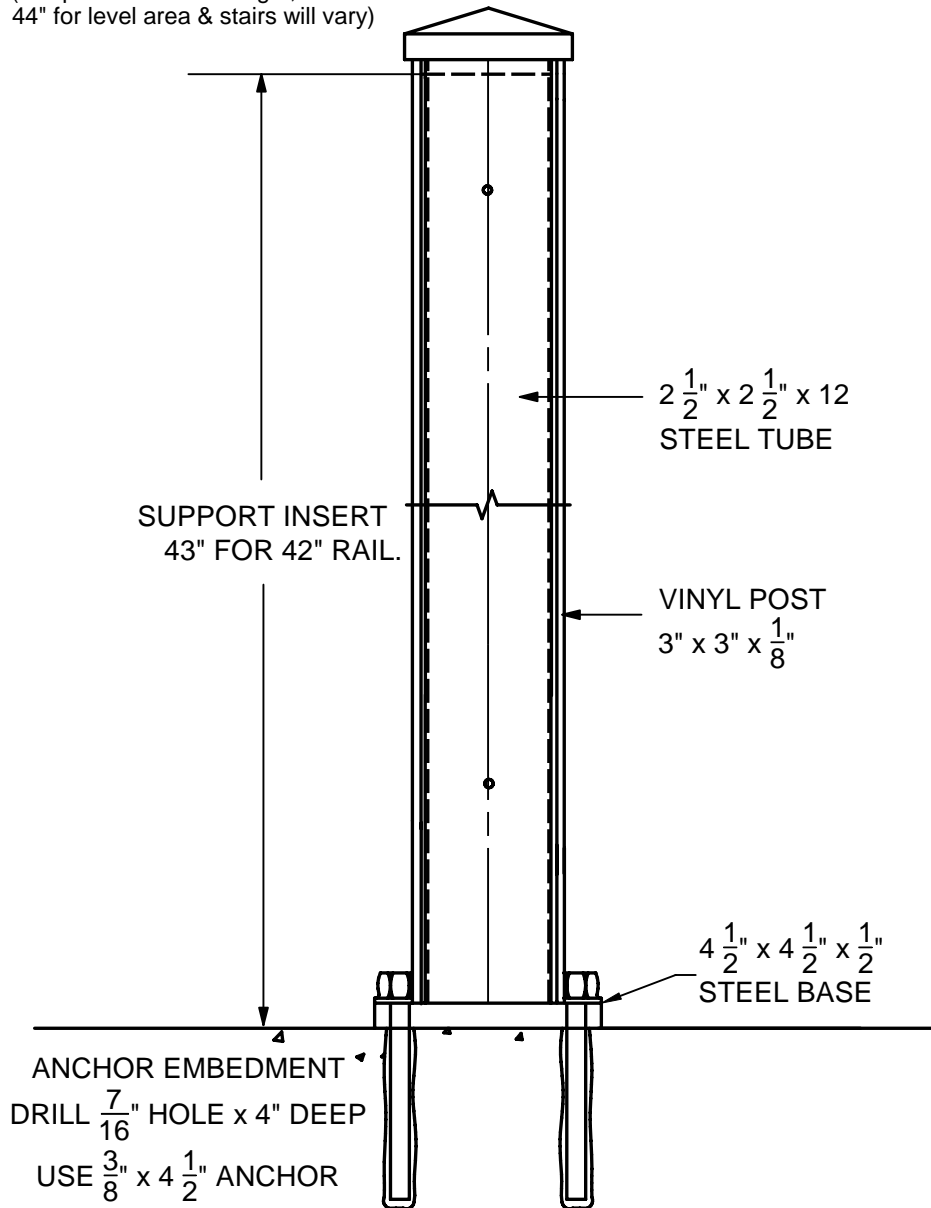
# BLACKline™

fence products

ORNAMENTAL DESIGN	Toll Free (866)333-1050*Fax(402)333-2054
CTW3342 GALV.	15801 Pacific Street * Omaha, NE 68118
REV : 07/01/05	Web Site: <a href="http://www.blacklinefence.com">http://www.blacklinefence.com</a>
SCALE : 1 : 1	DWG NUMBER :
Property of Blackline	SHEET 1 OF 1

42" COMMERCIAL GALVANIZED POST INSERT  
ON WOOD DECK

(Cut post to desired height,  
44" for level area & stairs will vary)



ANCHOR DETAIL

42" COMMERCIAL GALVANIZED POST INSERT  
ON CONCRETE SLAB

**NOTES:**

1. 3/8" x 4 1/2" ANCHOR TO HAVE ALLOWABLE WORKING PULLOUT STRENGTH NOT LESS THAN 2,400 POUNDS. PREPARE SURFACES, CLEAN HOLES, INSTALL ANCHORS, CURE ADHESIVE, AND TIGHTEN IN ACCORDANCE WITH MANUFACTURERS RECOMMENDATIONS.
2. STEEL TUBE TO BE ASTM A500 GRADE A STEEL
3. MEETS BOCA/ ICC/ IBC REQUIREMENTS.
4. HOT DIPPED GALVANIZED STEEL AND ANCHORS
5. **IMPORTANT:**  
CONSULT YOUR LOCAL CODE OFFICIALS FOR BUILDING CODE REQUIREMENTS.

**BILL OF MATERIALS**

PART #	QUAN.	DESCRIPTION
BP3344	1	3 x 3 x 44-----stairs 50
	1	2 1/2 x 2 1/2 x 43" GALV. TOWER
SS1	24	#12 x 1" FLAT HEAD SCREWS
	4	3/8" x 4 1/2" ANCHOR BOLTS - GALV.

**BLACKline™**  
fence products

ORNAMENTAL DESIGN	Toll Free (866)333-1050*Fax(402)333-2054	
CTC3342 GALV.	15801 Pacific Street * Omaha, NE 68118	
REV : 07/01/05	Web Site: <a href="http://www.blacklinefence.com">http://www.blacklinefence.com</a>	
SCALE : 1 : 1	DWG NUMBER :	SHEET 1 OF 1
Property of Blackline		